



A to Z Theatrical Supply and Service

800 East Meyer Boulevard

Kansas City, MO 64131

+1 (816) 523-1655

Hands on a Hardbody Transport Guide

Transport Requirements

- Dedicated Shipment
- Uhaul style truck, flatbed trailer, semi, etc
- Sized to accommodate vehicle, and secure contents
- Rollback tow truck may be required for loading & unloading car from the venue or transport vehicle
- COI with \$30,000 property replacement
- Load prop facing the **REAR** of transport vehicle

Shipping Options

1. Personal transport is encouraged. Contact your AtoZ Salesperson to schedule your pickup.
2. Freight shipping can be purchased through a broker.
Example: Express Logistics
515-207-5436
salesupport@exp-logistics.com
3. AtoZ Theatrical Supply offers arranged full service shipping at a premium rate.

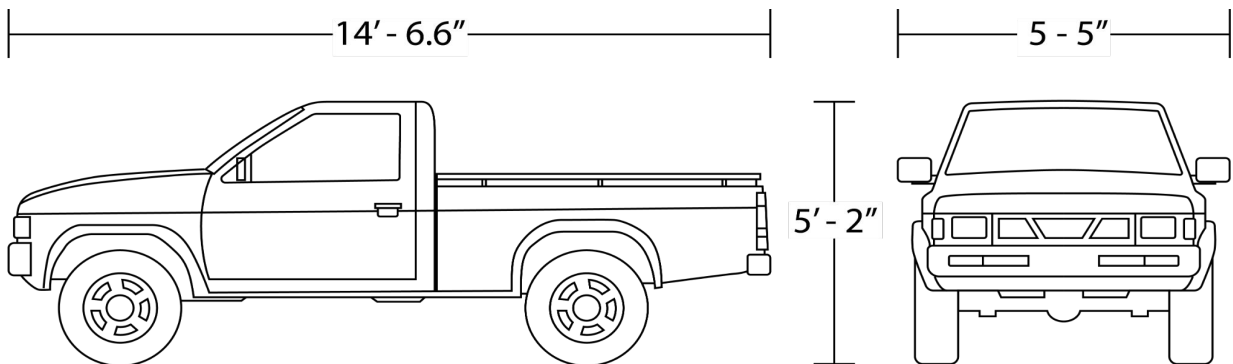


Securing for Transport

Tie directly to:

- Front axle and rear axle
- Strap bleachers in truck bed, if applicable

DO NOT anchor anywhere except specified points.
Doing so will result in damage to the prop.



Shipment Contents

- Ships with: (1) prop car, (2) banners, (1) set of bleachers
**bleachers can travel either in or out of the bed*
- Width: 5ft 2in
- Length: 15ft 0in
- Height: 7ft 5in - with bleachers in bed
- Weight: 1,500lbs
- Theatrical Prop - no engine or liquids
- Rolls on (4) Casters, not vehicle's wheels



Vehicle Inspection Reporting

Before and after transport complete a thorough documented inspection. Report any damage including dings, scrapes and marks to your AtoZ Representative. Should any damage occur during your rental, document the damage, and submit to AtoZ Theatrical. Do not alter or attempt repairs without permission from AtoZ Theatrical.